

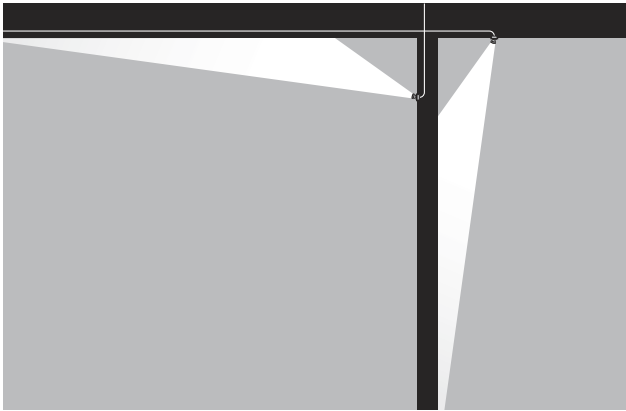
Parans L3 is a sunlight luminaire in a spotlight design. Ideal for highlighting objects and for indirect lighting, using walls and ceilings as reflectors for the sunlight.



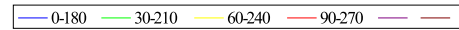
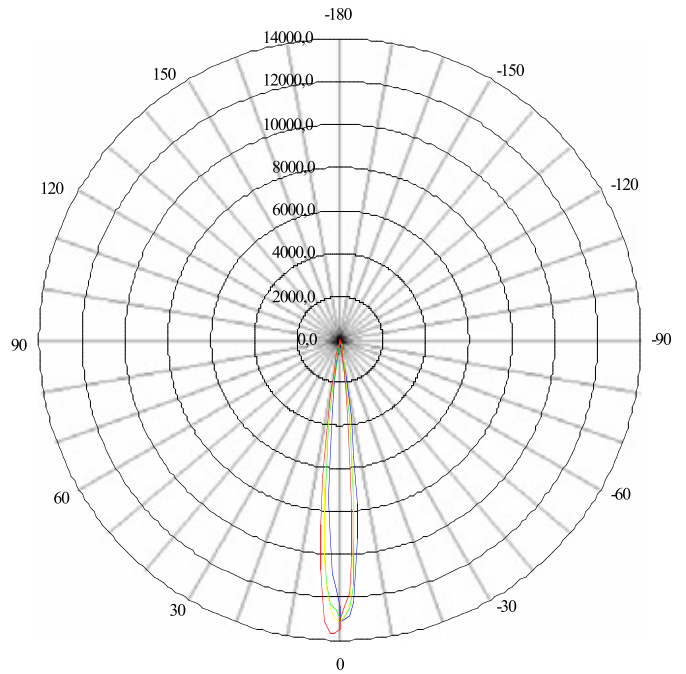
The Parans L3 is easy to direct in angles between -30° and $+30^{\circ}$ providing great freedom to adjust and vary the light emission on different objects and surfaces. The 30 mm mineral precision lens emits the sunlight in a 30° angle. Finish: grey powder epoxy.



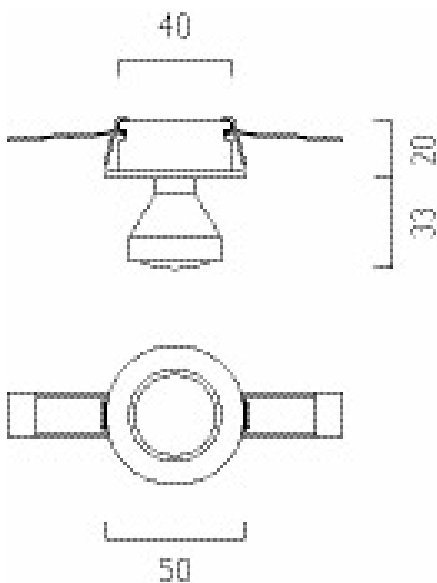
Light Emission / Applications



Light Emission / Polar Diagram



Dimensions



Installation Directions

The Parans L3 is made for installation in blind openings.
Drill diameter: 45 mm

- 1) Make a \varnothing 45 mm hole.
- 2) Screw together the fiber optic end piece into the threaded socket of the luminaire.
- 3) Squeeze together the two long springs and insert the luminaire into the opening. The shorter arms of the springs remains close to the socket thus keeping the spring tight.

Materials

90 % Aluminium
10 % Stainless Steel

Weight

53 g