

PARANS L2 PURE

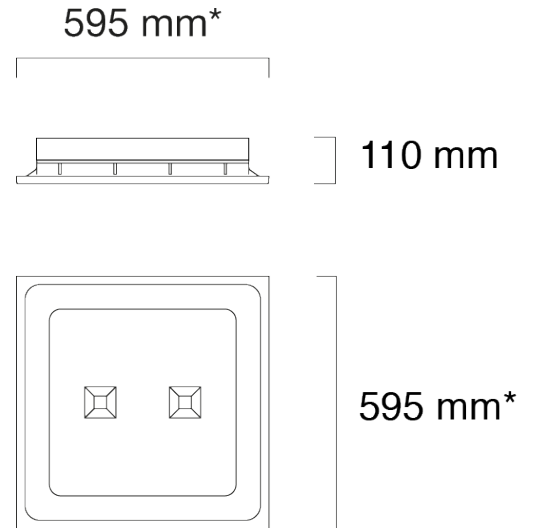
Parans L2 Pure is a sunlight luminaire for standard grid ceilings. It is easy to install and fits perfectly with the L2 Hybrid.

Parans L2 Pure uses two fiber optic cables.

Model	Dimensions	Weight
Parans L2 Pure	595 x 595 x 110 mm	ca 7 kgs
Parans L2 Hybrid	595 x 595 x 110 mm	ca 7 kgs

Materials

- PMMA plastic
- Steel
- ABS plastic
- PC plastic



* Fits US standard: 2 x 2 ft

INSTALL THE L2 PURE

Parans L2 Pure is inserted into a standard 60x60 cm ceiling by simply replacing the ceiling modules.

Put the fiber optic cables into the reflector plate and attach the nut to hold it in place.

Insert the L2 luminaire into the ceiling grid.

PARANS L2 HYBRID

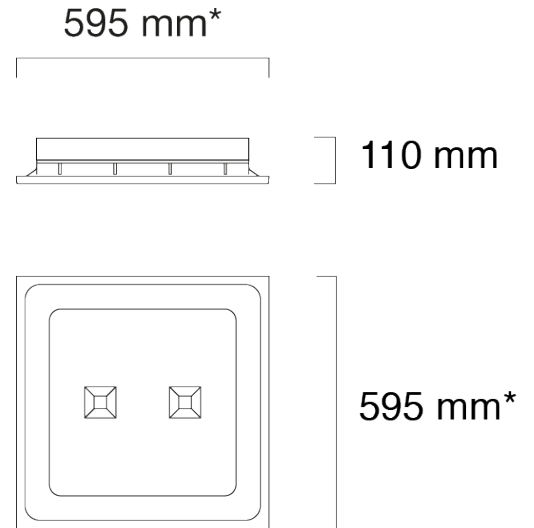
Parans L2 Hybrid is a hybrid sunlight luminaire for standard grid ceilings. It is easy to install and fits perfectly with the L2 Pure. For times when healthy sunlight is not available, integrated LED:s provide artificial light from the same luminaire.

Parans L2 Hybrid uses two fiber optic cables.

Model	Dimensions	Weight
Parans L2 Pure	595 x 595 x 110 mm	ca 7 kgs
Parans L2 Hybrid	595 x 595 x 110 mm	ca 7 kgs

Materials

PMMA plastic
Steel
ABS plastic
PC plastic



* Fits US standard: 2 x 2 ft

INSTALL THE L2 HYBRID

Parans L2 Hybrid is inserted into a standard 60x60 cm ceiling by simply replacing the ceiling modules.

Attach the LED power supply to the electrical output.

Put the fiber optic cables into the reflector plate and attach the nut to hold it in place.

Insert the L2 luminaire into the ceiling grid.

L2 Hybrid can be complemented with DALI/DSI driver *) for use with these control systems.

*) Not within Parans Product range